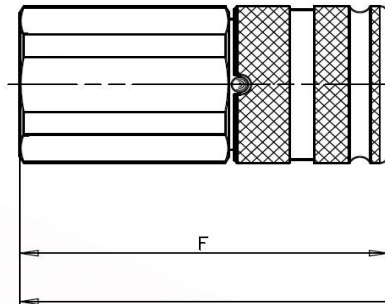
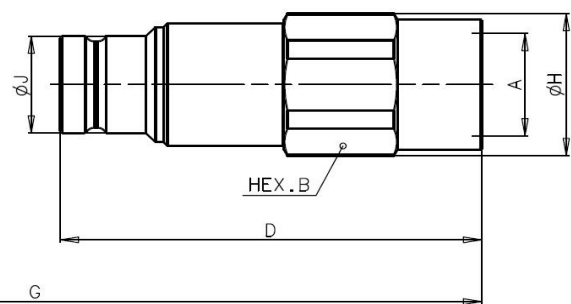




Hun - Female Standard female for dimensions please refer to "A" series



Han - Male



Varenr. / Code Han / Male	Betegnelse Description	A	mm					Vægt / Weight (kg) Male
			B	D	G	H	J	
805200001ST	APM9 3/8 BSP	3/8"	27	80	(F+D)-16	29	19.7	0.20
805200003ST	APM9 1/2 BSP	1/2"	27	82.5	(F+D)-16	29	19.7	0.20
805200005ST	APM13 1/2 BSP	1/2"	36	91	(F+D)-17.3	38.5	24.5	0.41
805200007ST	APM13 3/4 BSP	3/4"	36	93.5	(F+D)-17.3	38.5	24.5	0.40
805200009ST	APM15 3/4 BSP	3/4"	36	95	(F+D)-17.6	38.5	27	0.43
805200011ST	APM17 1 BSP	1"	46	108.5	(F+D)-22	49.8	30	0.75
805200017ST	APM21 1-1/4 BSP	1"1/4	55	123.5	(F+D)-23	59.8	36	1.16
805200015ST	APM30 1-1/2 BSP	1"1/2	70	146.9	(F+D)-28.6	75.8	57	2.58

Standard tætninger - Standard seals: NBR (Nitrile)
Arbejdstemperatur - Working temperature: -20 °C til/to 100 °C

Description	Size Inch	ISO Size mm	Rated flow		Max. Flow		Connect force		Disconnect force		Spillage * ml
			l/min	GPM	l/min	GPM	N	lbf	N	lbf	
APM9	3/8"	10.0	23	6.10	46	12.19	165	37.13	40	9.00	0.02
APM13	1/2"	12.5	45	11.93	90	23.85	190	42.75	70	15.75	0.01
APM15	5/8"	16.0	74	19.61	148	39.22	160	36.00	50	11.25	0.03
APM17	3/4"	19.0	100	26.50	200	53.00	260	58.50	80	18.00	0.18
APM21	1"	25.0	189	50.09	378	100.17	300	67.50	90	20.25	0.18
APM30	1"1/2	-	288	76.32	576	198.75	440	99.00	80	18.00	0.40

Description	Size Inch	Max. operating pressure				Burst pressure				Max. Residual pressure			
		Coupled		Male		Coupled		Male		MPa	psi		
		MPa	psi	MPa	psi	MPa	psi	MPa	psi				
APM9	3/8"	35	5075	35	5075	-	-	100	14500	120	17400	30	4350
APM13	1/2"	33	4785	33	4785	-	-	100	14500	120	17400	30	4350
APM15	5/8"	33	4785	33	4785	-	-	100	14500	120	17400	30	4350
APM17	3/4"	33	4785	33	4785	-	-	100	14500	120	17400	25	3625
APM21	1"	30	4350	30	4350	-	-	80	11600	100	14500	25	3625
APM30	1"1/2	27	3915	27	3915	-	-	80	11600	100	14500	20	2900

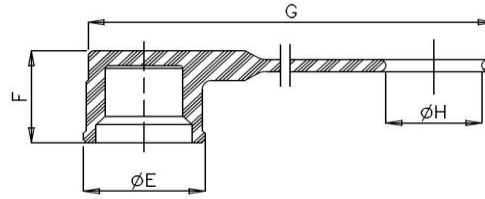
* Spillage is an indicative value of the fluid loss per couple-uncouple cycle.

Temperature range:

- Standard seals NBR (Nitrile): from -20 °C to +100 °C (from -4 °F to +212 °F).



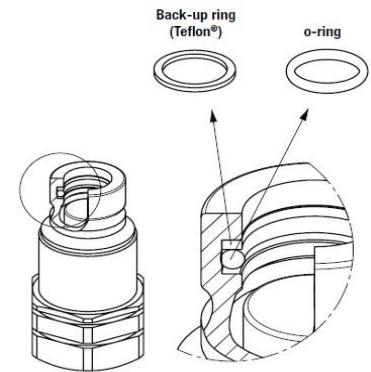
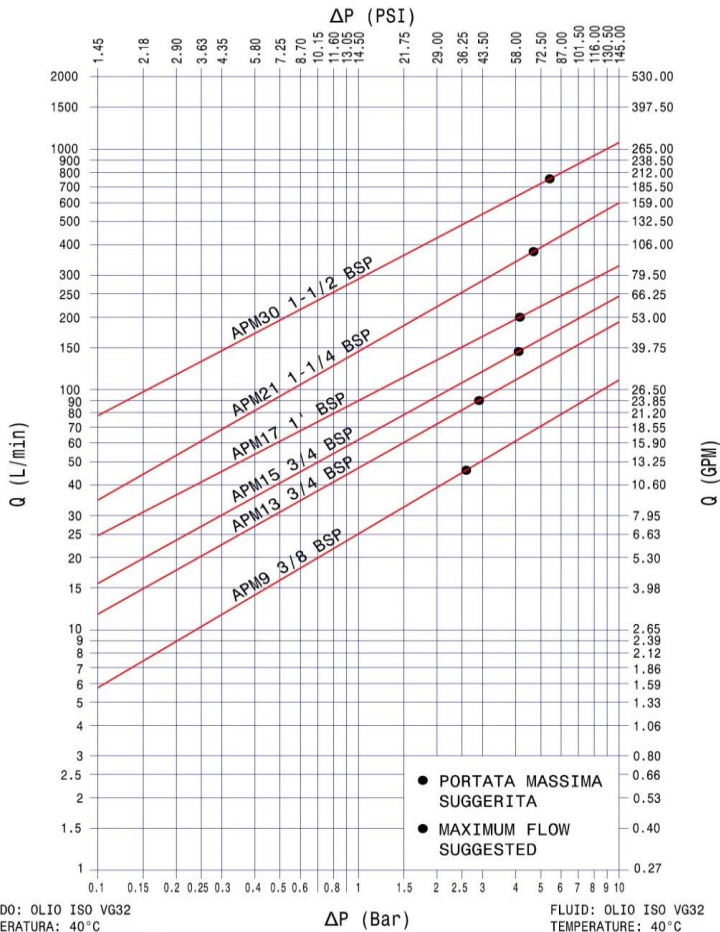
For "APM" Han - Male



Varenr. Code	Betegnelse Description	Passer til Kobling/ Fits coupling	mm				Farve Colour	Vægt Weight
			E	F	G	H		
815100027ST	D-9L	805200001ST	32	28	235	25	Rød	0.02
815100027ST	D-9L	805200003ST	32	28	235	25	Rød	0.02
815100031ST	D-13L	805200005ST	38	31.5	248	30	Rød	0.02
815100031ST	D-13L	805200007ST	38	31.5	248	30	Rød	0.02
815100011ST	D-15F	805200009ST	42	28	256	30	Rød	0.04
815100013ST	D-17G	805200011ST	48	35	310	35	Rød	0.06
815100015ST	D-21H	801300023ST	55	38.5	324	45	Rød	0.08

SEAL KIT FOR "APM" HAN
SEAL KIT FOR "APM" MALE

TEST ESEGUITI IN CONFORMITA' A ISO 7241-2
TEST IN ACCORDANCE WITH ISO 7241-2



Varenr. Code	Size	Betegnelse Description
815700337ST	3/8"	M APM9
815700339ST	1/2"	M APM13
815700341ST	5/8"	M APM15
815700655ST	3/4"	M APM17
815700345ST	1"	M APM21
815700697ST	1 1/2"	M APM30