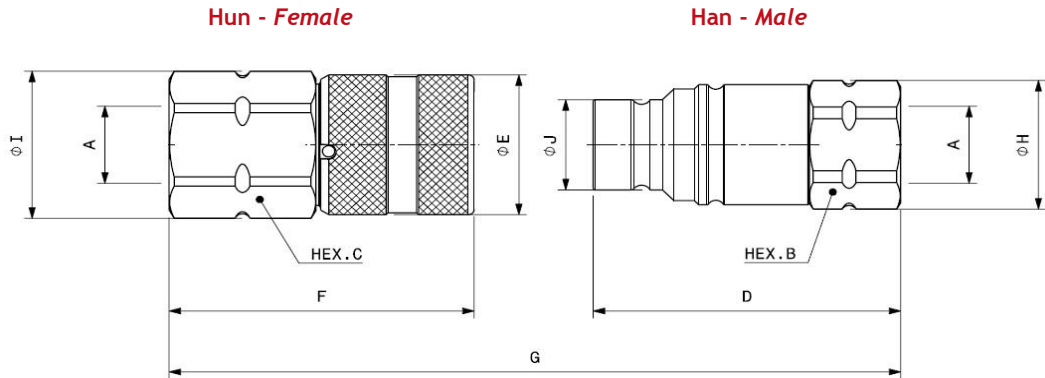


LYNKOBLINGER - QUICK COUPLINGS

AX

LYNKOBLING "AX" RUSTFRI - ISO 16028
 QUICK COUPLING "AX" STAINLESS STEEL - ISO 16028



Varenr. / Code		Betegnelse Description	A	mm										Vægt / Weight (kg)	
Hun / Female	Han / Male			B	C	D	E	F	G	H	I	J	Male	Female	
808500104ST	808500105ST	AX9 3/8 BSP	3/8"	27	30	65.4	32	69.4	118.8	29	32	19.7	0.16	0.30	
808500108ST	808500109ST	AX13 1/2 BSP	1/2"	32	36	77.5	38	76.9	137.1	35	40	24.5	0.30	0.48	
808500114ST	808500115ST	AX17 3/4 BSP	3/4"	46	46	85.7	48	103.8	167.5	49.5	49.8	30	0.53	1.06	

Standard tætninger - Standard seals: Viton

Arbejdstemperatur - Working temperature: -15 °C til/to 180 °C

På forespørgsel - On request: Diverse pakninger - Different seals

Description	Size Inch	ISO Size mm	Max. Flow l/min	GPM	Connect force		Disconnect force		Spillage * ml
					N	lbf	N	lbf	
AX9	3/8"	10	46	12.19	200	45	45	10.12	0.01
AX13	1/2"	12.5	90	23.85	165	37.12	58	13.05	0.02
AX17	3/4"	19	200	53.00	255	57.37	80	18	0.03
AX21	1"	25	378	100.17	285	64.12	110	24.75	0.03

Description	Size Inch	Max. operating pressure					
		Coupled		Male		Female	
		MPa	psi	MPa	psi	MPa	psi
AX9	3/8"	35	5075	35	5075	35	5075
AX13	1/2"	33	4785	33	4785	33	4785
AX17	3/4"	33	4785	33	4785	33	4785
AX21	1"	30	4350	30	4350	30	4350

* Spillage is an indicative value of the fluid loss during disconnection.

Temperature range:

- VITON seals: from -15°C to +180°C (from +5 °F to +356 °F).

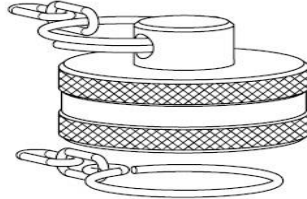
AX

BESKYTTELSESHÆTTE FOR TYPE "AX" - ISO 16028

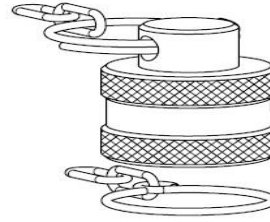
PROTECTIVE CAPS FOR TYPE "AX" - ISO 16028



For "AX" Hun - Female



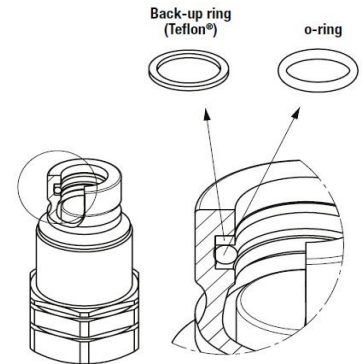
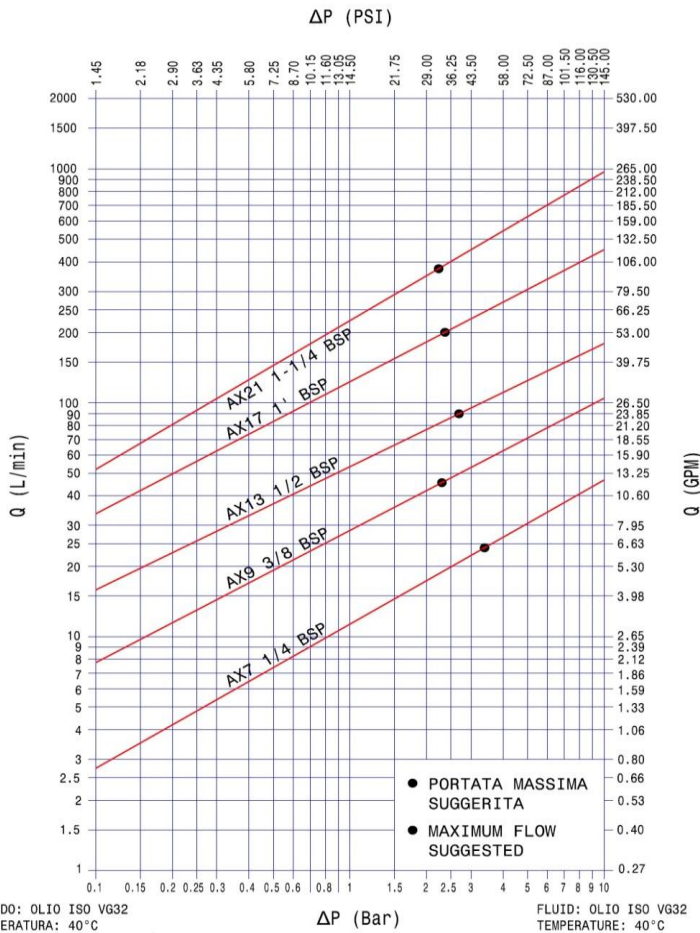
For "AX" Han - Male



Varenr. Code	Betegnelse Description	Passer til Kobling/ Fits coupling	Materiale Material	Farve Colour
816005004ST	AX9 Hætte - Cap	808500104ST	Aluminum	Alu
816005005ST	AX9 Hætte - Cap	808500105ST	Aluminum	Alu
816005006ST	AX13 Hætte - Cap	808500108ST	Aluminum	Alu
816005007ST	AX13 Hætte - Cap	808500109ST	Aluminum	Alu
816005010ST	AX17 Hætte - Cap	808500114ST	Aluminum	Alu
816005011ST	AX17 Hætte - Cap	808500115ST	Aluminum	Alu

SEAL KIT FOR "AX" HAN
SEAL KIT FOR "AX" MALE

TEST ESEGUITI IN CONFORMITA' A ISO 7241-2
TEST IN ACCORDANCE WITH ISO 7241-2



Varenr. Code	Size	Betegnelse Description
815700247ST	3/8"	M AX9
815700249ST	1/2"	M AX13
815700253ST	3/4"	M AX17
815700255ST	1"	M AX21