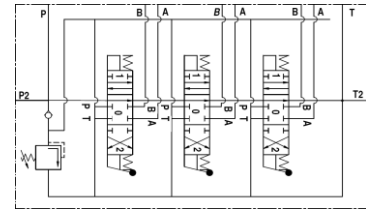
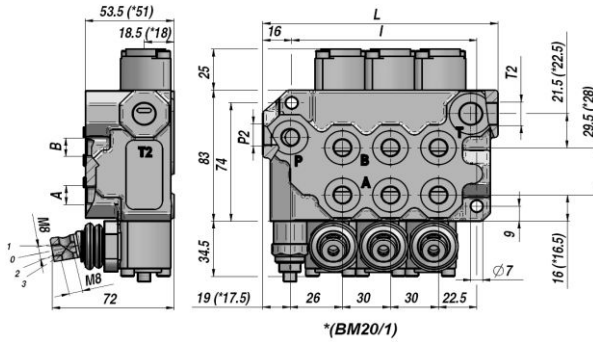


MANØVRE VENTILER - MONOBLOCK VALVES

BM 20

Qn Q MAX
17 l/min 25 l/min

MANØVRE VENTIL
MONOBLOCK VALVE



| Varenr. Code | Type | N° sektioner Sections No. | Gevind - Threads | | | | | PN bar | P MAX U bar | P MAX S bar | L | I | kg |
|-----------------|----------------------|------------------------------|------------------|----------|----------|-----------|-----------|-----------|-------------------|-------------------|-------|-----|------|
| | | | A-B BSP | P BSP | T BSP | P2 BSP | T2 BSP | | | | | | |
| DBM0111001 | BM 20/1/GU/MO A1 | 1 | | | | | | | | | 76 | 50 | 1.50 |
| DBM0211001 | BM 20/2/GU/MO A1 x 2 | 2 | | | | | | | | | 111,5 | 80 | 2.70 |
| DBM0311001 | BM 20/3/GU/MO A1 x 3 | 3 | 1/4" | 1/4" | 3/8" | 3/8" | 3/8" | 250 | 320 | 80 | 141,5 | 110 | 3.80 |
| DBM0411001 | BM 20/4/GU/MO A1 x 4 | 4 | | | | | | | | | 171,5 | 140 | 4.60 |
| DBM0511001 | BM 20/5/GU/MO A1 x 5 | 5 | | | | | | | | | 201,5 | 170 | 5.40 |
| DBM0611001 | BM 20/6/GU/MO A1 x 6 | 6 | | | | | | | | | 231,5 | 200 | 6.20 |

PN = Max. arbejdstryk - Nominal pressure

P MAX U = Max. spidsbelastning - Max. pressure on ports

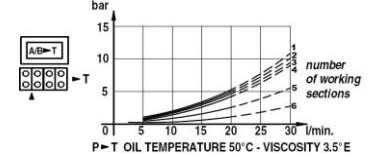
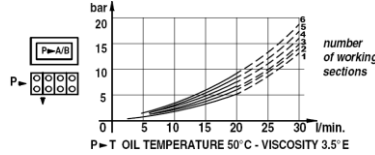
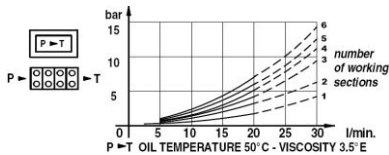
P MAX S = Max. returtryk - Max. pressure in tank-line

Overtryksventil - Relief Valve : X=30:90bar (70) - U=80:230bar (140) (Standard) - K=150:300bar (200)

OVENSTÅENDE VARENUMRE BESTÅR AF - THESE CODES REFER TO:

DOBBELTVIRKENDE - 3 POSITIONER - FJEDER RETUR - A/B PORTE LUKKET - BSP GEVIND - FORBEREDT FOR TRYKVIDEREFØRING

DOUBLE ACTING TYPE - 3 POSITIONS - SPRING RETURN - A/B PORTS CLOSED - BSP THREA DS - MACHINED FOR CARRY-OVER



| SPOLE TYPE SPOOL TYPE | |
|--------------------------|--|
| A | |
| B | |
| C | |
| D | |
| K | |

| POSITIONER SPOOL CONTROL | |
|-----------------------------|--|
| 1 | |
| 2 | |
| 3 | |
| 6 | |
| 7 | |
| 8 | |
| 16 | |

| PÅ FORESPØRGSEL ON REQUEST | |
|-------------------------------|---|
| MC | manual operator with cam |
| MX | sikkerhedshåndtag safety lever |
| DO | cam operator |
| JS | joystick |
| MSW | microswitch |
| CO | Trykvidereføring power beyond (carry over) |
| CCP | Prop for lukket center closed center plug |