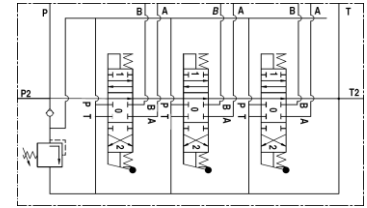
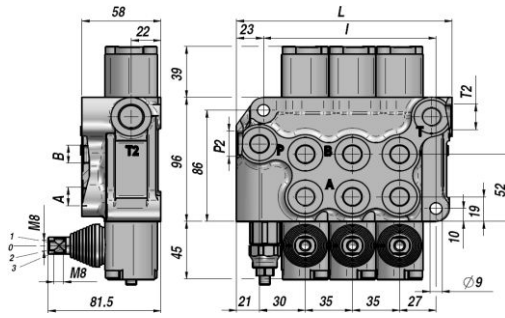
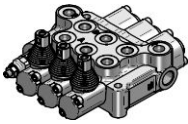


**MANØVRE VENTILER - MONOBLOCK VALVES**

**BM 40**

**Qn Q MAX**  
**35 l/min 45 l/min**

**MANØVRE VENTIL  
 MONOBLOCK VALVE**



Varenr. Code	Type	N° sektioner Sections No.	Gevind - Threads					PN bar	P MAX U bar	P MAX S bar	L	I	kg
			A-B BSP	P BSP	T BSP	P2 BSP	T2 BSP						
DBM2111001	BM 40/1/GU/MO A1	1									90	55	2.50
DBM2211001	BM 40/2/GU/MO A1x2	2									125	90	3.70
DBM2311001	BM 40/3/GU/MO A1x3	3									160	125	5.00
DBM2411001	BM 40/4/GU/MO A1x4	4	3/8"	3/8"	3/8"	1/2"	1/2"	250	320	80	195	160	6.20
DBM2511001	BM 40/5/GU/MO A1x5	5									230	195	7.40
DBM2611001	BM 40/6/GU/MO A1x6	6									265	230	8.60
DBM2711001	BM 40/7/GU/MO A1x7	7									300	265	9.80
DBM2811001	BM 40/8/GU/MO A1x8	8									335	300	11.00

PN = Max. arbejdstryk - Nominal pressure

P MAX U = Max. spidsbelastning - Max. pressure on ports

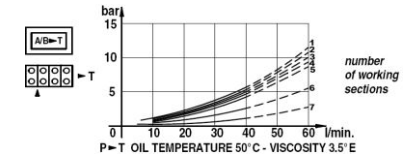
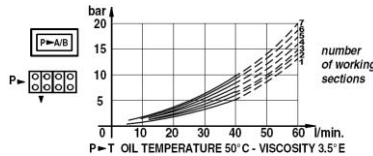
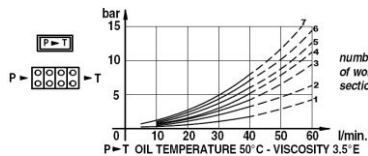
P MAX S = Max. returtryk - Max. pressure in tank-line

Overtryksventil - Relief Valve : X=30:90bar (70) - U=80:230bar (140) (Standard) - K=150:300bar (200)

OVENSTÅENDE VARENUMRE BESTÅR AF - THESE CODES REFER TO:

DOBBELTVIRKENDE - 3 POSITIONER - FJEDER RETUR - A/B PORTE LUKKET - BSP GEVIND - FORBEREDT FOR TRYKVIDEREFØRING

DOUBLE ACTING TYPE - 3 POSITIONS - SPRING RETURN - A/B PORTS CLOSED - BSP THREADS - MACHINED FOR CARRY-OVER



	<b>SPOLE TYPE SPOOL TYPE</b>
<b>A</b>	
<b>B</b>	
<b>C</b>	
<b>D</b>	
<b>L</b>	
<b>Z</b>	

	<b>POSITIONER SPOOL CONTROL</b>
<b>1</b>	
<b>2</b>	
<b>3</b>	
<b>6</b>	
<b>7</b>	
<b>8</b>	
<b>12</b>	
<b>42</b>	

	<b>PÅ FORESPØRGSEL ON REQUEST</b>
<b>MC</b>	manual operator with cam
<b>MX</b>	sikkerhedshåndtag safety lever
<b>DO</b>	cam operator
<b>JS</b>	joystick
<b>1P</b>	luftstyret pneumatic operator
<b>MSW</b>	microswitch
<b>CO</b>	Trykvidereføring power beyond ( carry over )
<b>CCP</b>	Prop for lukket center closed center plug