

# BVC 3 SERIES

## Three way high pressure ball valves

### INTRODUCTION

Holmbury's BVC 3 Series three way high pressure ball valves are designed to suit a wide range of applications. These valves should not be used as flow control valves and should therefore always be fully open or closed.

### CONSTRUCTION

- Carbon steel with trivalent plating
- Fitted with Nitrile seals
- Also available in AISI 316 stainless steel (See BVS 3 Series)
- Metric and flanged available on request

### FEATURES

- Available in 'L' or 'T' port configurations
- One piece body design provides additional strength
- Full bore valves provide unrestricted flow path for negligible pressure drop
- 90 degree operation
- Cranked handle allows clearance for easy operation

### ACCESSORIES

- Valve Locking Kits and Valve Handles are available for the BVC 3 Series

### ORDER CODES

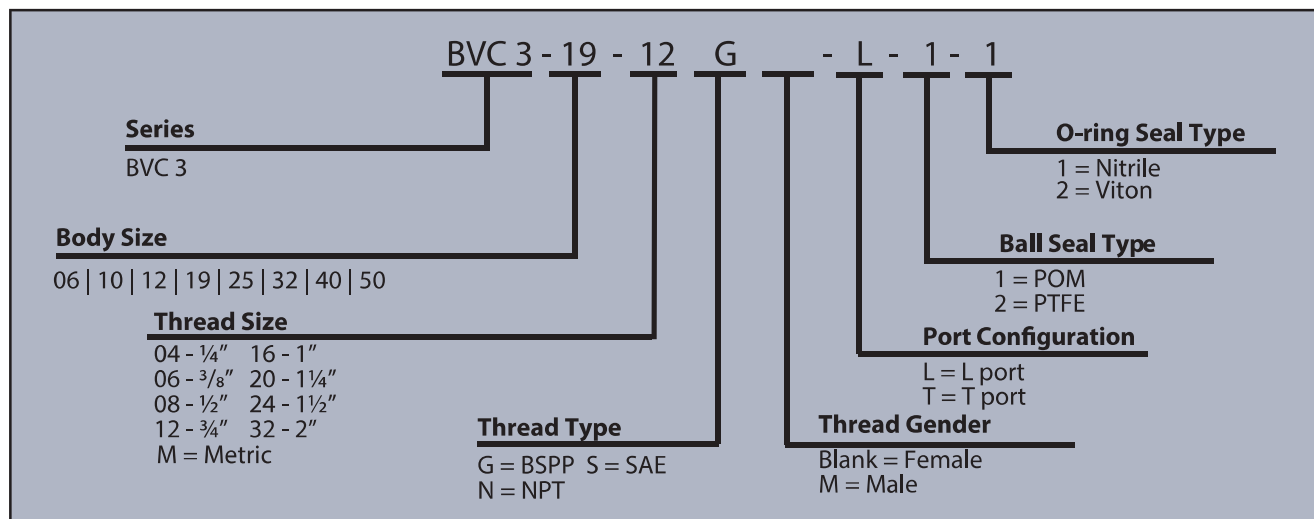


### SPECIFICATIONS

- Operating temperatures (With Nitrile seals): -40°C (-40°F) to 106°C (223°F)

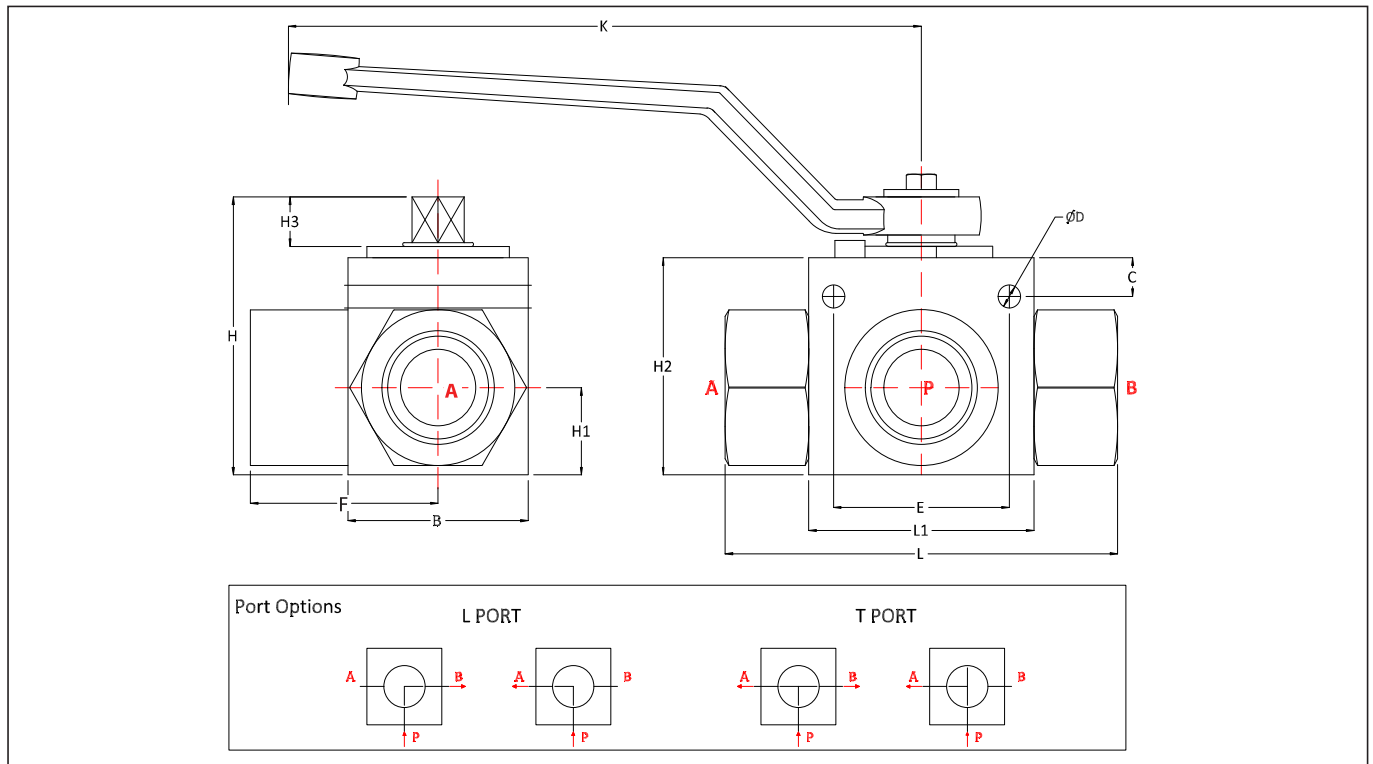
### APPLICATIONS

- Designed for usage in general hydraulic systems, machine tools, test equipment, agricultural, and mobile hydraulics



# BVC 3 SERIES

## DRAWING



## DIMENSIONS

Size	Thread Size (A)	B	C	ØD	E	F	G	H	H1	H2	H3	L	L1	Maximum Working Pressure	Burst Pressure
		Dimensions in mm												Bar	
		Dimensions in Inches												Psi	
BVC3 06	1/4"	28.3	5.3	4.6	25.9	35.3	107	44.3	13.5	32.5	8.5	68.7	37	500	2000
		1.1	0.2	0.2	1.0	1.4	4.2	1.7	0.5	1.3	0.3	2.7	1.5	7250	29000
BVC3 10	3/8"	32.1	5	6.3	32	37.3	107	52.2	17.3	40.3	8.5	72	42	500	2000
		1.3	0.2	0.2	1.3	1.5	4.2	2.1	0.7	1.6	0.3	2.8	1.7	7250	29000
BVC3 12	1/2"	35.2	5.6	6.5	37.5	41	107	52.6	18.3	40.5	8.5	83	48	500	2000
		1.4	0.2	0.3	1.5	1.6	4.2	2.1	0.7	1.6	0.3	3.3	1.9	7250	29000
BVC3 19	3/4"	48.5	6.3	6.5	45	50	170	74.7	24.7	57.2	14	95.2	60	500	2000
		1.9	0.2	0.3	1.8	2.0	6.7	2.9	1.0	2.3	0.6	3.7	2.4	7250	29000
BVC3 25	1"	56.7	5.8	6.8	56	58	170	81.6	28.5	64	14	112.8	64.9	500	2000
		2.2	0.2	0.3	2.2	2.3	6.7	3.2	1.1	2.5	0.6	4.4	2.6	7250	29000
BVC3 32	1 1/4"	75	8.3	10.8	66	56	234	103.5	38.5	83.9	16	110	84	350	1400
		3.0	0.3	0.4	2.6	2.2	9.2	4.1	1.5	3.3	0.6	4.3	3.3	5075	20300
BVC3 40	1 1/2"	85.2	—	—	—	66	234	115.2	42	95.2	16	129	91.2	350	1400
		3.4	—	—	—	2.6	9.2	4.5	1.7	3.7	0.6	5.1	3.6	5075	20300
BVC3 50	2"	105	—	—	—	70	234	133	52.5	112.5	16	140	100	350	1400
		4.1	—	—	—	2.8	9.2	5.2	2.1	4.4	0.6	5.5	3.9	5075	20300

PSI= Bar x14.5 Inches= mm/25.4

www.hydra-comp.com