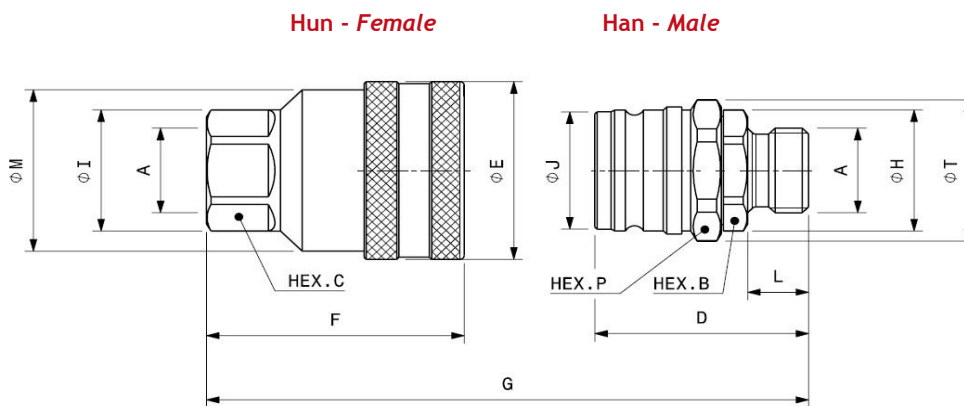


IFR

LYNKOBLING "IFR"  
QUICK COUPLING "IFR"



Varenr. / Code		Betegnelse Description	A	mm										Vægt / Weight (kg)	
Hun / Female	Han / Male			B	C	D	E	F	G	H	I	J	Male	Female	
800200050ST	800200051ST	IFR8 1/2 BSP	1/2"	27	27	49.1	44	59.2	93.3	30	30	29	0.19	0.43	

Varenr. / Code		Betegnelse Description	A	mm			
Hun / Female	Han / Male			L	M	P	T
800200050ST	800200051ST	IFR8 1/2 BSP	1/2"	14	40	32	35

Standard tætninger - Standard seals: NBR (Nitrile)  
Arbejdstemperatur - Working temperature: -20°C til/to 100°C

Description	Size Inch	ISO Size mm	Max. Flow		Connect force		Disconnect force		Spillage * ml
			l/min	GPM	N	lbf	N	lbf	
IFR8	3/8"		23	6.10	170	38.25	27	6.08	0.06

Description	Size Inch	Max. operating pressure						Burst pressure					
		Coupled		Male		Female		Coupled		Male		Female	
		MPa	psi	MPa	psi	MPa	psi	MPa	psi	MPa	psi	MPa	psi
IFR8	3/8"	15	2175	15	2175	15	2175	100	14500	80	11600	30	4350

\* Spillage is an indicative value of the fluid loss during disconnection

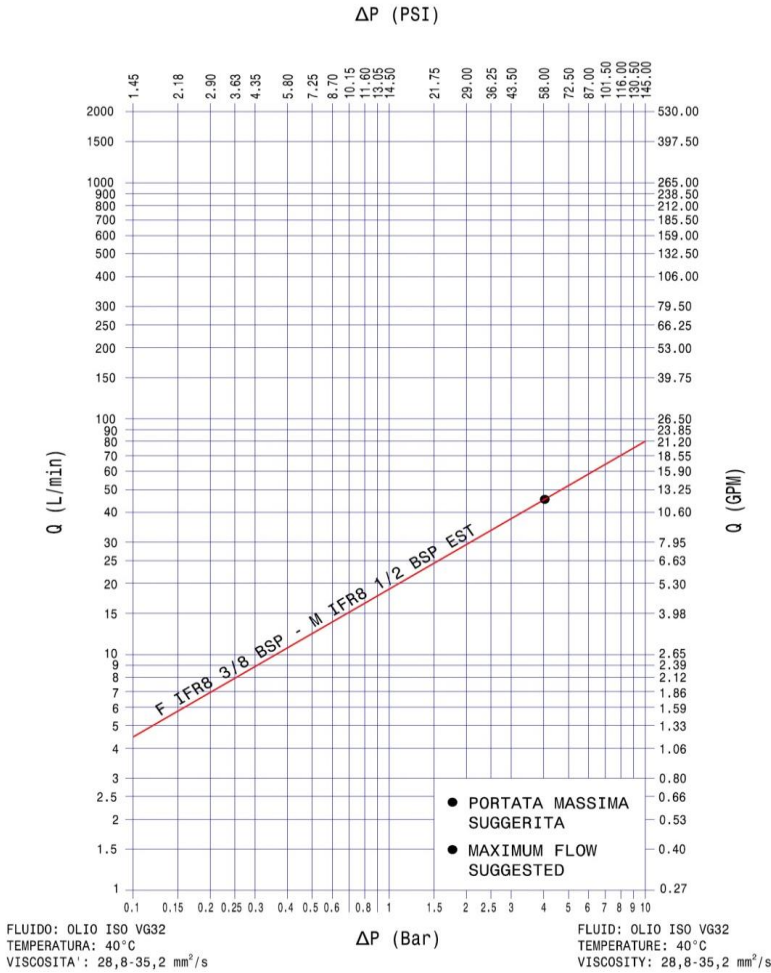
Temperature range:

- Standard seals NBR (Nitrile): from -20 °C to +100 °C ( from -4 °F to +212 °F).

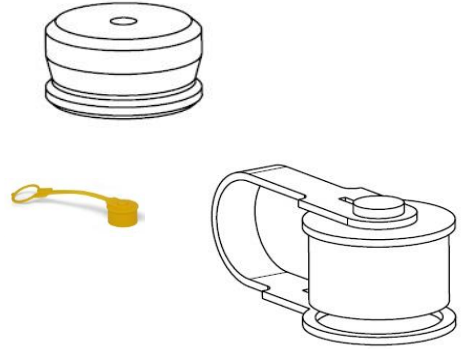
IFR

LYNKOBLING "IFR"  
QUICK COUPLING "IFR"

TEST ESEGUITI IN CONFORMITA' A ISO 7241-2  
TEST IN ACCORDANCE WITH ISO 7241-2



HÆTTE FOR "IFR" SERIE  
PROTECTIVE CAP FOR "IFR" SERIES



Varenr. Code	For	Materiale Material
815701120ST	IFR8 - Female	Carbon Steel
814901027ST	IFR8 - Male	Plastic