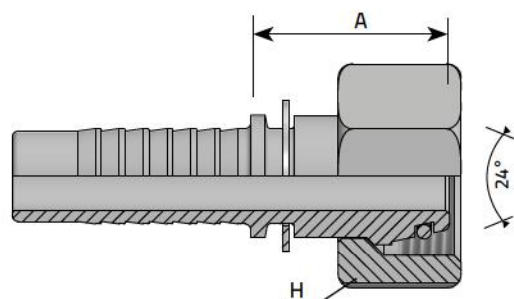


METRIC FEMALE 24° CONE - L TYPE (1)

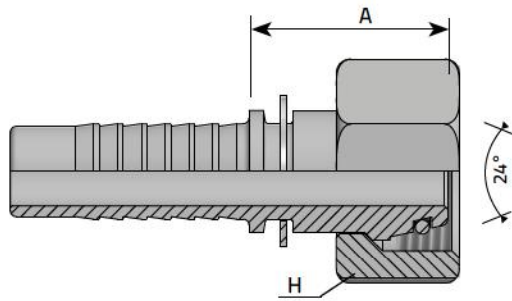


FEMMINA 90° METRICA DKOL CON O-RING 24°
 FEMELLE 90° MÉTRIQUE CÔNE 24° AVEC O-RING - SÉRIE L
 DKO-L 90° BOGEN INNENGEWINDE MIT O-RING 24° KONUS
 HEMBRA GIRATORIA MÉTRICA CON O-RING CONO 24° - SERIE L

* CRIMPED NUT
 DADO PINZATO

Code	Tube		Diam	Thread	T	Dimensions			Pressure	
	D.N.	Hose				D	H	A	Bar	Psi
		Inch	mm		mm	mm	mm			
FE0312L6	-3	3/16"	4.8	M12 x 1.5	6	14	25.5	250	3626	
FE0314L8	-3	3/16"	4.8	M14 x 1.5	8	17	25.5	250	3626	
* FE0412L6	-4	1/4"	6.4	M12 x 1.5	6	17	21	250	3626	
FE0414L8	-4	1/4"	6.4	M14 x 1.5	8	17	23.5	250	3626	
FE0416L10	-4	1/4"	6.4	M16 x 1.5	10	19	26	250	3626	
FE0418L12	-4	1/4"	6.4	M18 x 1.5	12	22	26	250	3626	
* FE0514L8	-5	5/16"	7.9	M14 x 1.5	8	19	21.5	250	3626	
FE0516L10	-5	5/16"	7.9	M16 x 1.5	10	19	26	250	3626	
FE0518L12	-5	5/16"	7.9	M18 x 1.5	12	22	26	250	3626	
* FE0616L10	-6	3/8"	9.5	M16 x 1.5	10	19	23.5	250	3626	
FE0618L12	-6	3/8"	9.5	M18 x 1.5	12	22	26.5	250	3626	
FE0622L15	-6	3/8"	9.5	M22 x 1.5	15	27	27	250	3626	
* FE0818L12	-8	1/2"	12.8	M18 x 1.5	12	22	25.5	250	3626	
FE0822L15	-8	1/2"	12.8	M22 x 1.5	15	27	27.5	250	3626	
FE0826L18	-8	1/2"	12.8	M26 x 1.5	18	32	28	160	2320	
FE1026L18	-10	5/8"	16	M26 x 1.5	18	32	30	160	2320	

METRIC FEMALE 24° CONE - L TYPE (2)



FEMMINA 90° METRICA DKOL CON O-RING 24°
 FEMELLE 90° MÉTRIQUE CÔNE 24° AVEC O-RING - SÉRIE L
 DKO-L 90° BOGEN INNENGEWINDE MIT O-RING 24° KONUS
 HEMBRA GIRATORIA MÉTRICA CON O-RING CONO 24° - SERIE L

* CRIMPED NUT
 DADO PINZATO

Code	Tube			Thread	Dimensions			Pressure	
	D.N.	Hose	Diam		T	D	H	A	Bar
		Inch	mm	mm	mm	mm	mm		
FE1030L22	-10	5/8"	16	M30 x 2	22	36	31	160	2320
* FE1226L18	-12	3/4"	19	M26 x 1.5	18	32	29	160	2320
FE1230L22	-12	3/4"	19	M30 x 2	22	36	31	160	2320
FE1636L28	-16	1"	25.4	M36 x 2	28	41	33.5	100	1450
FE2045L35	-20	1.1/4"	31.8	M45 x 2	35	50	38.5	100	1450
FE2452L42	-24	1.1/2"	38.1	M52 x 2	42	60	39	100	1450