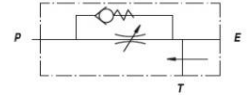
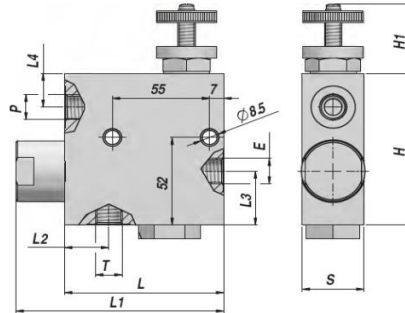
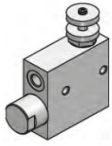


VENTILER - FLOW CONTROL VALVES

RFP 3VU

TRYKKOMPENSERET PRIORITET DRØVLE VENTIL MED KONTRAVENTIL
PRIORITY FLOW CONTROL WITH CHECK VALVE (PRESSURE COMPENSATED)

Bemærk venligst / please note :
E: Pumpetryk / pump pressure
P: Udgang til motor / output to motor
B: Retur til tank / return to tank



JUSTERBAR - ADJUSTABLE

REST OLIE TIL TANK - EXCEEDING FLOW TO TANK

Varenr. Code	E-P-T BSP	Q MAX l/min In (E) / Reg (P)	P MAX bar	Type	L	L1	L2	L3	L4	H1	H	S	kg
V3390.1110VU	3/8"	60 / 50	350	RFP-VU 3 3/8"	90	118	25	32	20	35	90	40	2.20
V3390.1120VU	1/2"	80 / 60	350	RFP-VU 3 1/2"	90	118	25	32	20	35	90	40	2.10

RØRMONTERING

LINE MOUNTING

MATERIALE - MATERIAL : STÅL - STEEL