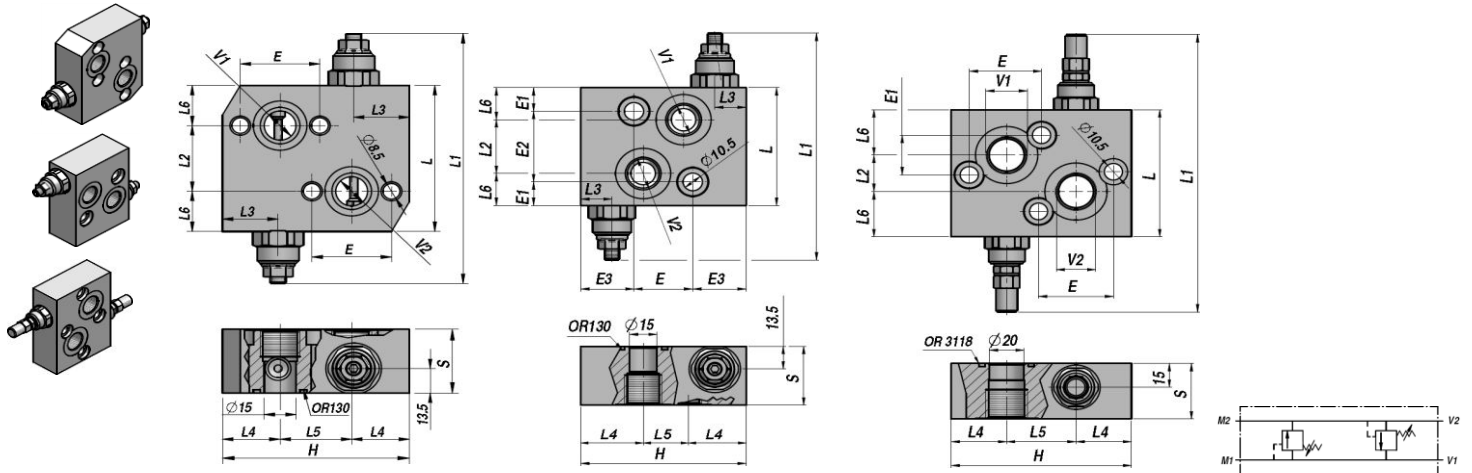


VAU/DE MP-R-S-T

**CHOK VENTIL TIL MOTOR
CROSS LINE RELIEF VALVE FOR MOTORS**



VAU OMP-OMR

VAU OMS

VAU OMT

Varenr. Code	V1 BSP	V2 BSP	Q MAX l/min	P MAX bar	Type	L	L1	L2	L3	L4	L5	L6	E	E1	E2	E3	H	S	kg
						80	164	36	28	29	-	22	40	-	-	-	94	35	
V0590.0500	1/2"	1/2"	60	300	VAU/DE 1/2"C (OMP/R)	80	164	36	28	29	-	22	40	-	-	-	94	35	1,75
V0590.0490	1/2"	1/2"	50	300	VAU/DE 1/2"C (OMS)	70	154	32	17	34	22	19	32	14	42	29	90	35	1,33
V0590.0505	3/4"	3/4"	100	300	VAU/DE 3/4"C (OMT)	80	188	23	-	32	40	28.5	43.2	25	-	-	104	35	1,92

FJEDER - SPRING : B=20:100bar - C=10:180bar(Standard)- D=50:250bar - E=80:300bar

PÅ FORESPØRGSEL - ON REQUEST : VAU/DE/SF ... MED BREMSE UDLØSNINGS PORT - WITH BRAKE RELEASE PORT

FLANGE MONTERING

FACE MOUNTING

MATERIALE - MATERIAL : STÅL - STEEL