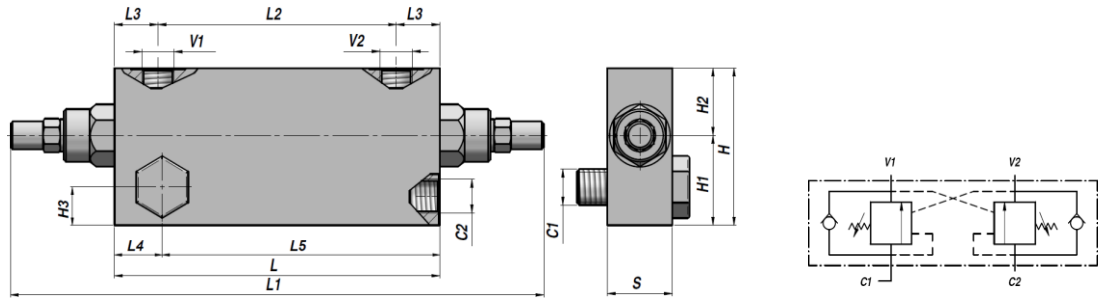
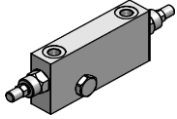


VBCD/A DE - FLV

**DOBBELT VIRKENDE
DOUBLE ACTING**

**OVERCENTER VENTIL
OVERCENTER VALVE**



Varenr. Code	V1-V2 BSP	C1-C2 BSP	Q MAX l/min	P MAX bar	PILOT RATIO	Type	L	L1	L2	L3	L4	L5	H1	H2	H3	H	S	kg
V2290.0422FLV	3/8"	3/8"	40	350	1:4.5	VBCD/A DE-FLV 3/8"	150	250	110	20	22	128	44	26	17	70	30	2,41
V2290.0432FLV	1/2"	1/2"	60	350	1:4.5	VBCD/A DE-FLV 1/2"	150	250	110	20	24	126	50	30	19	80	30	2,70

Standard indstilling - *Standard setting* : 320 bar

Minimum indstilling - *Minimum setting* : 200 bar

CYLINDER MONTERING

CYLINDER MOUNTING

MATERIALE - MATERIAL : STÅL - STEEL