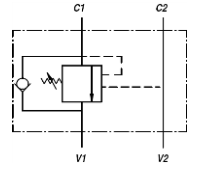
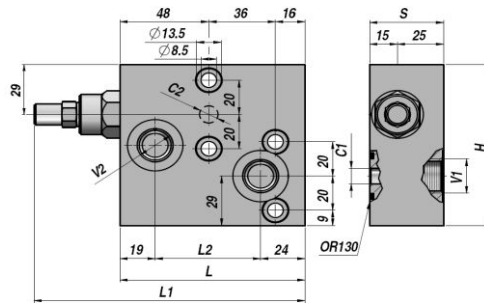
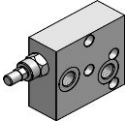


VENTILER - MOTION CONTROL VALVES

VBCDF-SE (MP-MR)

ENKELT VIRKENDE
SINGLE ACTING

OVERCENTER VENTIL FOR MP-MR MOTORER (OMP-OMR)
OVERCENTER VALVE FOR MOTORS MP-MR (OMP-OMR)



Varenr. Code	V1-V2 BSP	C1-C2	Q MAX l/min	P MAX bar	PILOT RATIO	Type	L	L1	L2	H	S	kg
V2190.F008	1/2"	Ø9	50	350	1:4.5	VBCDF-SE 1/2"-PR	100	149	57	94	40	2,69

Standard indstilling - *Standard setting* : 320 bar

Minimum indstilling - *Minimum setting* : 200 bar

PÅ FORESPØRGSEL - *ON REQUEST* : VBCDF/SF-SE ... MED BREMSE UDLØSNINGSPORT - *WITH BRAKE RELEASE PORT*

FLANGE MONTERING

FACE MOUNTING

MATERIALE - *MATERIAL* : STÅL - *STEEL*