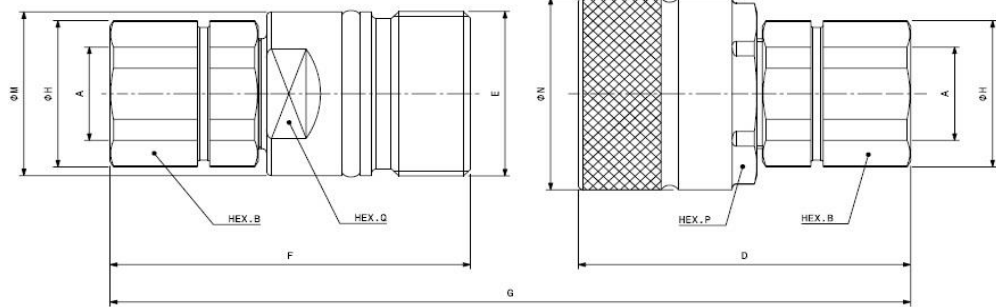




Hun - Female

Han - Male



Varenr. / Code		Betegnelse	A	HEX				E	mm							Weight (kg)	
Hun / Female	Han / Male	Description		B	P	Q		D	F	G	H	M	N	Male	Female		
809500006ST	809500007ST	VD14 BSP	1/4"	19	27	22	M24X2	58.5	61.7	94.5	21	23.8	30	0.14	0.13		
809500008ST	809500009ST	VD38-14 BSP	1/4"	22	30	24	M28X2	61.5	64.3	99	24	27.8	34	0.19	0.19		
809500010ST	809500011ST	VD38 BSP	3/8"	22	30	24	M28X2	64.5	67.3	105	24	27.8	34	0.19	0.19		
809500000ST	809500001ST	VD12-38 BSP	3/8"	30	36	30	M36X2	62.3	68	102.6	32	35.8	42	0.30	0.35		
809500002ST	809500003ST	VD12 BSP	1/2"	30	36	30	M36X2	67.3	73	112.6	32	35.8	42	0.29	0.34		
809500014ST	809500015ST	VD34-12 BSP	1/2"	36	46	36	M42X2	69.9	79.4	117.5	40	41.8	49.5	0.48	0.54		
809500016ST	809500017ST	VD34 BSP	3/4"	36	46	36	M42X2	75.8	85.3	129.3	40	41.8	49.5	0.43	0.55		
809500018ST	809500019ST	VD100-34 BSP	3/4"	41	55	41	48X3*	79	95.5	139.7	45	47.8	60	0.65	0.75		
809500020ST	809500021ST	VD100 BSP	1"	41	55	41	48X3*	84.5	101	150.7	45	47.8	60	0.64	0.74		
809500022ST	809500023ST	VD114 BSP	1 1/4"	55	80	65	70X3*	121	117.2	189	61	68.5	85	2.48	1.70		
809500024ST	809500025ST	VD114-112 BSP	1 1/2"	55	80	65	70X3*	127	123.2	201	61	68.5	85	2.44	1.66		

\* Special gevind / Special Thread

Standard tætninger - Standard seals: NBR (Nitrile)

Arbejdstemperatur - Working temperature: -20 °C til/to 100 °C

Description	Size Inch	ISO Size mm	BG	Max. Flow		Connect torque*		Disconnect force*		Spillage ** ml
				l/min	GPM	Nm	lbf ft	Nm	lbf ft	
VD14	1/4"	6.3	1	24	6.36	0.8	0.59	0.5	0.37	0.7
VD38	3/8"	10.0	2	46	12.19	1.0	0.74	0.5	0.37	1
VD12	1/2"	12.5	3	90	23.85	1.5	1.11	1.2	0.88	3
VD34	3/4"	20.0	4	148	39.22	2.5	1.84	2.2	1.62	5
VD100	1"		6	200	53.00	2.7	1.99	2.2	1.62	14
VD114	1 1/4"		8	378	100.17	5.0	3.69	5.0	3.69	51

Description	Size Inch	Max. operating pressure						Burst pressure					
		Coupled		Male		Female		Coupled		Male		Female	
		MPa	psi	MPa	psi	MPa	psi	MPa	psi	MPa	psi	MPa	psi
VD14	1/4"	45	6525	45	6525	45	6525	160	23200	120	17400	140	20300
VD38	3/8"	45	6525	45	6525	45	6525	140	20300	120	17400	180	26100
VD12	1/2"	40	5800	40	5800	40	5800	150	21750	100	14500	130	18850
VD34	3/4"	40	5800	40	5800	40	5800	130	18850	100	14500	120	17400
VD100	1"	30	4350	30	4350	30	4350	110	15950	100	14500	140	20300
VD114	1 1/4"	30	4350	30	4350	30	4350	100	14500	100	14500	100	14500

\* Connect torque and disconnect torque without residual pressure. The torque will increase as internal residual pressure increases.

\*\* Spillage is an indicative value of the fluid loss during disconnection

Temperature range:

- Standard seals NBR (Nitrile): from -20 °C to +100 °C ( from -4 °F to +212 °F).

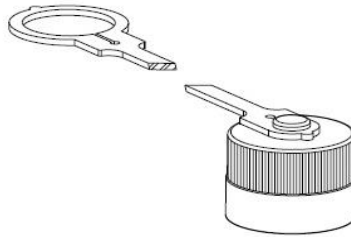
VD

BESKYTTELSESHÆTTE FOR TYPE "VD" - ISO 14541

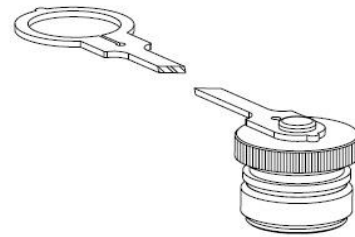
PVC CAPS FOR TYPE "VD" - ISO 14541



For "FIRG" Hun - Female

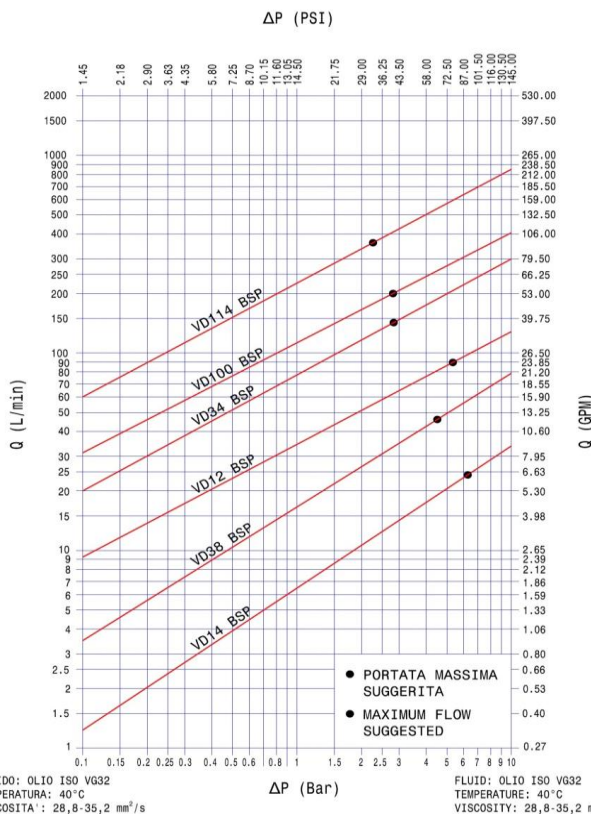


For "FIRG" Han - Male

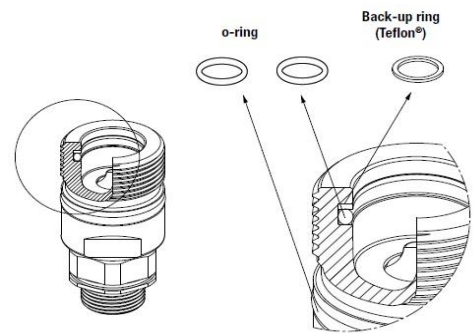


Varenr. Code	Betegnelse Description	Passer til Kobling/ Fits coupling	Materiale Material	Farve Colour	Vægt Weight
81490000ST	VD14	80950006ST	Plastic	Rød	
81490001ST	VD14	80950007ST	Plastic	Rød	
81490002ST	VD38	80950008ST	Plastic	Rød	
		80950010ST			
81490003ST	VD38	80950009ST	Plastic	Rød	
		80950011ST			
81490004ST	VD12	80950000ST	Plastic	Rød	
		80950002ST			
81490005ST	VD12	80950001ST	Plastic	Rød	
		80950003ST			
81490006ST	VD34	809500014ST	Plastic	Rød	
		809500016ST			
81490007ST	VD34	809500015ST	Plastic	Rød	
		809500017ST			
81490008ST	VD100	809500018ST	Plastic	Rød	
		809500020ST			
81490009ST	VD100	809500019ST	Plastic	Rød	
		809500021ST			
81490010ST	VD114	809500022ST	Plastic	Rød	
		809500024ST			
81490011ST	VD114	809500023ST	Plastic	Rød	
		809500025ST			

TEST ESEGUITI IN CONFORMITÀ A ISO 7241-2  
TEST IN ACCORDANCE WITH ISO 7241-2



SEAL KIT FOR "VD" HUN  
SEAL KIT FOR "VD" FEMALE



Varenr. Code	Size	Betegnelse Description
815700900ST	1/4"	F VD14
815700902ST	3/8"	F VD38
815700904ST	1/2"	F VD12
815700906ST	3/4"	F VD34
815700908ST	1"	F VD100
815700910ST	1"1/4"	F VD114