

Varenr. / Code		Betegnelse Description	A	HEX			mm					N	Weight (kg)	
Hun / Female	Han / Male			B	C	Q	D	E	F	G	T		Male	Female
806500008ST	806500009ST	VEP7 1/4 BSP	1/4"	22	27	36	71	38.8	54.1	113.3	34.8	M30x2	0.23	0.25
807200002ST	807200003ST	VEP9P 3/8 BSP	3/8"	27	30	38	82.5	41.8	65.8	131.3	37.8	M33x2	0.33	0.33
807200004ST	807200005ST	VEP9P 1/2 BSP	1/2"	27	30	38	85	41.8	70.8	138.8	37.8	M33x2	0.32	0.34
807200006ST	807200007ST	VEP13P 1/2 BSP	1/2"	36	36	46	95	49.8	77.8	154.6	45.8	M40x3	0.60	0.62
807200008ST	807200009ST	VEP13P 3/4 BSP	3/4"	36	36	46	97.4	49.8	84.8	164	45.8	M40x3	0.58	0.59
807200010ST	807200011ST	VEP15P 3/4 BSP	3/4"	36	41	50	99	53.8	84.9	165.4	49.8	M45x3	0.67	0.76
807200024ST	807200025ST	VEP17P 3/4 BSP	3/4"	46	46	55	113.6	58.8	97.7	188.5	54.8	M50x3	1.13	1.16
807200012ST	807200013ST	VEP17P 1 BSP	1"	46	46	55	113.6	58.8	99.7	190.5	54.8	M50x3	1.02	1.12
807200020ST	807200021ST	VEP21P 1 BSP	1"	55	55	65	123.4	69.8	105.8	205.2	64.5	M58x3	1.54	1.78
807200014ST	807200015ST	VEP21P 1-1/4 BSP	1 1/4"	55	55	65	123.4	69.8	106.8	206.2	64.5	M58x3	1.44	1.69
807200022ST	807200023ST	VEP30P 1-1/4 BSP	1 1/4"	65	65	85	150	92	133.5	253.9	89.8	M80x4	3.25	3.88
807200016ST	807200017ST	VEP30P 1-1/2 BSP	1 1/2"	65	65	85	150	92	133.5	253.9	89.8	M80x4	3.20	3.81
807200018ST	807200019ST	VEP45P 2 BSP	2"	90	90	-	218.4	200	224.8	383.5	145	M130x6	11.89	14.68

Standard tætninger - Standard seals: NBR (Nitrile)

Arbejdstemperatur - Working temperature: -20 °C til/ to 100 °C

Description	Size Inch	Max. Flow		Connect torque		Disconnect force		Spillage * ml
		l/min	GPM	Nm	lbf ft	Nm	lbf ft	
VEP7	1/4"	24	6.36	2.8	2.06	1.9	1.40	0.01
VEP9P	3/8"	46	12.19	2.2	1.62	1.4	1.03	0.04
VEP13P	1/2"	90	23.85	1.8	1.33	1.4	1.03	0.02
VEP15P**	5/8"	148	39.22	3.0	2.21	1.8	1.33	0.03
VEP17P**	3/4"	200	53.00	5.6	4.13	3.6	2.65	0.01
VEP21P**	1"	378	100.17	8.2	6.04	5.8	4.27	0.06
VEP30P**	1 1/2"	750	198.75	26.0	19.16	12.5	9.21	0.20
VEP45P	2"	1000	265.00	40.0	29.48	40.0	29.48	0.35

Description	Size Inch	Max. operating pressure						Burst pressure					
		Coupled		Male		Female		Coupled		Male		Female	
		MPa	psi	MPa	psi	MPa	psi	MPa	psi	MPa	psi	MPa	psi
VEP7	1/4"	60	8700	60	8700	42	6090	150	21750	150	21750	126	18270
VEP9P	3/8"	55	7975	55	7975	33	4785	140	20300	140	20300	100	14500
VEP13P	1/2"	55	7975	55	7975	33	4785	140	20300	140	20300	100	14500
VEP15P**	5/8"	55	7975	55	7975	33	4785	140	20300	140	20300	100	14500
VEP17P**	3/4"	50	7250	50	7250	33	4785	125	18125	125	18125	100	14500
VEP21P**	1"	47	6815	47	6815	30	4350	120	17400	120	17400	80	11600
VEP30P**	1 1/2"	40	5800	40	5800	27	3915	110	15950	110	15950	80	11600
VEP45P	2"	35	5075	35	5075	27	3915	110	15950	110	15950	80	11600

Description	Size Inch	Tightening torque	Max. residual pressure during connection						Max. residual pressure during disconnection	
			Male, female to drain		Female, male to drain		Male and female		Mpa	psi
			Mpa	psi	Mpa	psi	Mpa	psi	Mpa	psi
VEP7	1/4"	40-50	30	4350	30	4350	25	3625	25	3625
VEP9P	3/8"	50-60	25	3625	25	3625	25	3625	25	3625
VEP13P	1/2"	65-75	25	3625	25	3625	20	2900	20	2900
VEP15P**	5/8"	70-80	25	3625	25	3625	20	2900	20	2900
VEP17P**	3/4"	90-110	25	3625	25	3625	15	2175	15	2175
VEP21P**	1"	125-145	25	3625	25	3625	15	2175	15	2175
VEP30P**	1 1/2"	155-175	25	3625	25	3625	5	725	5	725
VEP45P	2"	320-350	25	3625	20	2900	2	290	2	290

* Spillage is an indicative value of the fluid loss during disconnection.

** Specific dimensions of Stucchi VEP-P series are fire tested and Lloyd certified in accordance with API 16D and the EUB Directive #36

Temperature range:

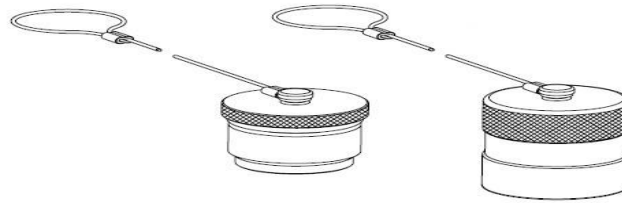
- Standard seals NBR, PUR, POM: from -20 °C to +100 °C (from -4 °F to +212 °F).

VEP-P

BESKYTTELSESHÆTTE FOR TYPE "VEP-P"
PROTECTIVE CAPS FOR TYPE "VEP-P"

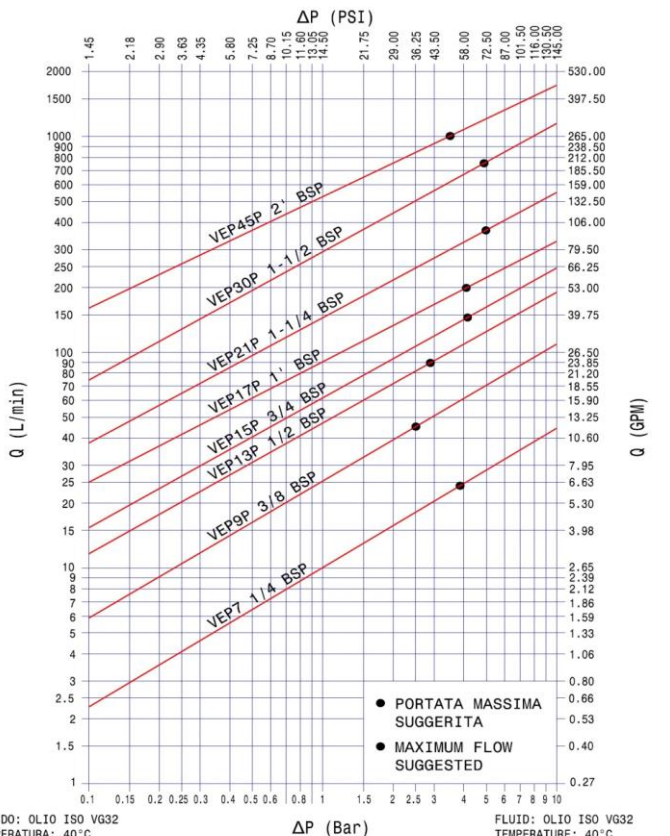
For "VEP-P" Hun - Female

For "VEP-P" Han - Male

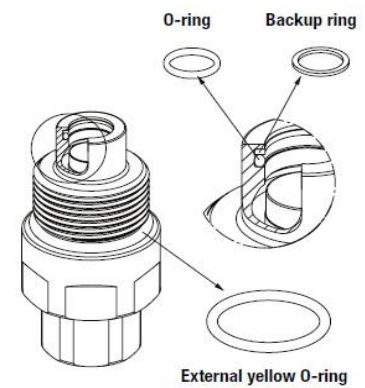


Varenr. Code	Betegnelse Description	Passer til Kobling/ Fits coupling	Materiale Material	Farve Colour	Vægt Weight
815305070ST	VEP7	Prop - Plug	Aluminum	Alu	
815305071ST	VEP7	Hætte - Cap	Aluminum	Alu	
815305072ST	VEP9P	Prop - Plug	Aluminum	Alu	
815305073ST	VEP9P	Hætte - Cap	Aluminum	Alu	
815305074ST	VEP13P	Prop - Plug	Aluminum	Alu	
815305075ST	VEP13P	Hætte - Cap	Aluminum	Alu	
815305076ST	VEP15P	Prop - Plug	Aluminum	Alu	
815305077ST	VEP15P	Hætte - Cap	Aluminum	Alu	
815305078ST	VEP17P	Prop - Plug	Aluminum	Alu	
815305079ST	VEP17P	Hætte - Cap	Aluminum	Alu	
815305080ST	VEP21P	Prop - Plug	Aluminum	Alu	
815305081ST	VEP21P	Hætte - Cap	Aluminum	Alu	
815305082ST	VEP30P	Prop - Plug	Aluminum	Alu	
815305083ST	VEP30P	Hætte - Cap	Aluminum	Alu	
815305042ST	VEP45P	Prop - Plug	Aluminum	Alu	
815305043ST	VEP45P	Hætte - Cap	Aluminum	Alu	

TEST ESEGUITI IN CONFORMITA' A ISO 7241-2
TEST IN ACCORDANCE WITH ISO 7241-2



SEAL KIT FOR "VEP-P" HAN
SEAL KIT FOR "VEP-P" MALE



Varenr. Code	Size	Betegnelse Description
815700735ST	1/4"	M VEP7
815700736ST	3/8"	M VEP9P
815700737ST	1/2"	M VEP13P
815700738ST	5/8"	M VEP15P
815700739ST	3/4"	M VEP17P
815700740ST	1"	M VEP21P
815700741ST	1 1/2"	M VEP30P
815700728ST	2"	M VEP45P