

Varenr. / Code		Betegnelse	A	mm										Vægt / Weight (kg)	
Hun / Female	Han / Male	Description		B/P	C	D	E	F	G	M	N	T	Male	Female	
809900004ST	809900005ST	VLS12 BSP	1/2"	35.5/41	32	50.3	35x2 SP	62	92.6	15.8	15.8	29.8	0.25	0.32	
809900008ST	809900009ST	VLS100 BSP	1"	44/65	46	66.9	54x3 SP	101.5	143	20.8	21.2	54	0.92	0.88	

Standard tætninger - Standard seals: NBR (Nitrile)

Arbejdstemperatur - Working temperature: -20 °C til/to 100 °C

Description	Size Inch	ISO Size mm	Max. Flow		Connect force*		Disconnect force*		Spillage ** ml
			l/min	GPM	N	lbf	N	lbf	
VLS12	1/2"	12.5	90	23.85	3.2	2.36	3.2	2.36	2.5
VLS100	1"	25.0	200	53.00	1.3	0.96	0.6	0.44	15,0

Description	Size Inch	Max. operating pressure						Burst pressure					
		Coupled		Male		Female		Coupled		Male		Female	
		MPa	psi	MPa	psi	MPa	psi	MPa	psi	MPa	psi	MPa	psi
VLS12	1/2"	46.5	6743	46.5	6743	46.5	6743	200	29000	130	18850	170	24650
VLS100	1"	46.5	6743	46.5	6743	46.5	6743	140	20300	140	20300	140	20300

* Connect torque and disconnect torque without residual pressure. The torque will increase as internal residual pressure increases.

** Spillage is an indicative value of the fluid loss during disconnection

Temperature range:

- Standard seals NBR (Nitrile): from -20 °C to +100 °C (from -4 °F to +212 °F).

VLS

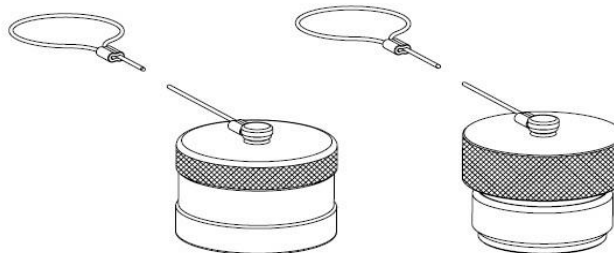
BESKYTTELSESHÆTTE FOR SKRUEKOBLING "VLS"

PROTECTIVE CAPS FOR SCREW COUPLING "VLS"



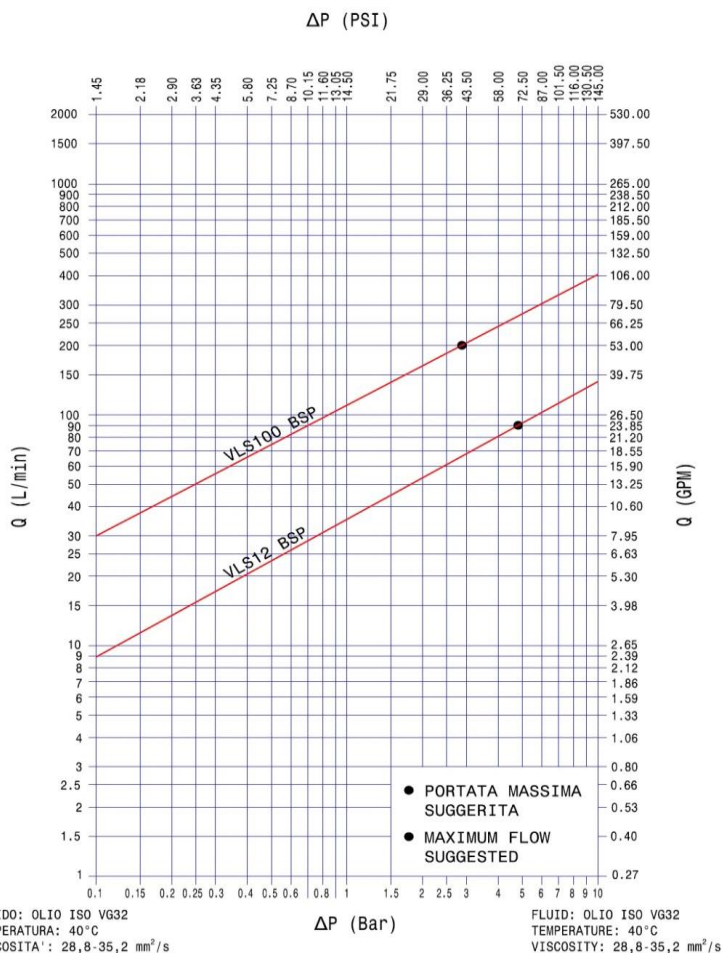
FOR "VLS" HUN

FOR "VLS" HAN

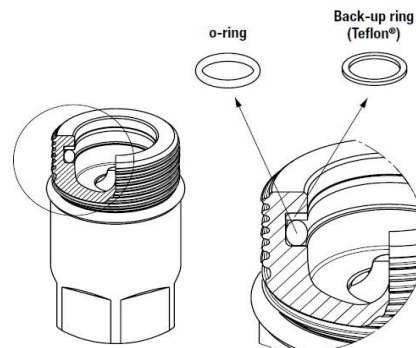


Varenr. Code	Betegnelse Description	Passer til Kobling/ Fits coupling	Materiale Material	Farve Colour
814906022ST	VLS12 BSP Hætte - Cap	809900004ST	Aluminum	Alu
814906023ST	VLS12 BSP Prop - Plug	809900005ST	Aluminum	Alu
814906024ST	VLS100 BSP Hætte - Cap	809900008ST	Aluminum	Alu
814906025ST	VLS100 BSP Prop - Plug	809900009ST	Aluminum	Alu

TEST ESEGUITI IN CONFORMITA' A ISO 7241-2
TEST IN ACCORDANCE WITH ISO 7241-2



SEAL KIT FOR "VLS" HUN
SEAL KIT FOR "VLS" FEMALE



Varenr. Code	Size	Betegnelse Description
815700920ST	1/2"	F VLS12
815700922ST	1"	F VLS100