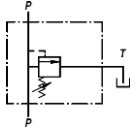
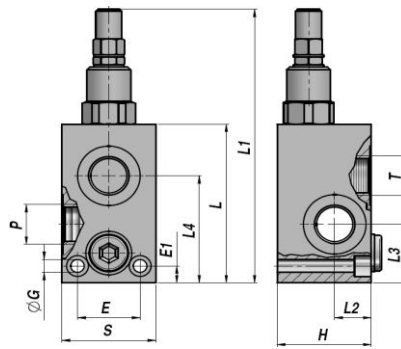
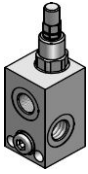


VMP

OVERTRYK VENTIL
RELIEF VALVE



Varenr. Code	P BSP	T BSP	Q MAX l/min	P MAX bar	Type	L	L1	L2	L3	L4	ØG	E	E1	H	S	kg
V0120.0006	3/8"	3/8"	45	300	VMP 3/8" C	72	134	15	26	49.5	6,5	26	8.5	40	40	0,82
V0120.0008	1/2"	1/2"	70	300	VMP 1/2" C	77	139	17.5	29.5	54	6,5	30	8.5	45	45	1,06
V0120.0012	3/4"	3/4"	120	300	VMP 3/4" C	92	154	17.5	35	68	8,5	32	10	50	50	1,47

FJEDER - SPRING : A=10:50bar - B=20:100bar - C=10:180bar(Standard)- D=50:250bar - E=80:300bar

RØRMONTERING
LINE MOUNTING

MATERIALE - MATERIAL : STÅL - STEEL