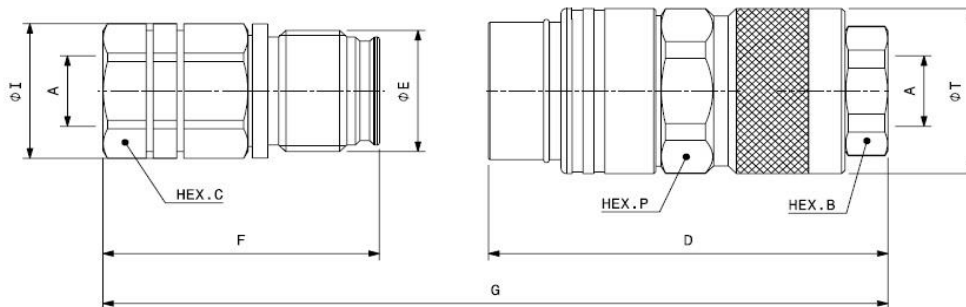




Hun - Female

Han - Male



Varenr. / Code		Betegnelse Description	A	HEX				E	mm					Weight (kg)	
Hun / Female	Han / Male			B	C	P			D	F	G	I	T	Male	Female
80190000ST	801900001ST	VP7 1/4 BSP	1/4"	22	27	32	M24X2	83.9	52.8	125.2	29	35	0.39	0.16	
807300002ST	807300003ST	VP9P 3/8 BSP	3/8"	27	30	38	M28X2	94.5	64.3	142.3	32	42	0.6	0.24	
807300004ST	807300005ST	VP9P 1/2 BSP	1/2"	27	30	38	M28X2	94.5	69.3	147.3	32	42	0.58	0.25	
807300006ST	807300007ST	VP13P 1/2 BSP	1/2"	36	36	45	M36X3	110	76.2	167.9	40	49	0.98	0.42	
807300008ST	807300009ST	VP13P 3/4 BSP	3/4"	36	36	45	M36X3	110	83.2	174.9	40	49	0.95	0.44	
807300010ST	807300011ST	VP15P 3/4 BSP	3/4"	36	41	48	M39X3	110	83.4	174.9	44.8	52	1.06	0.58	
807300018ST	807300019ST	VP17P 3/4 BSP	3/4"	46	46	55	M45X3	127.1	96	200.5	49.8	60	1.64	0.93	
807300012ST	807300013ST	VP17P 1 BSP	1"	46	46	55	M45X3	127.1	98	202.5	49.8	60	1.59	0.91	
807300022ST	807300023ST	VP21P 1 BSP	1"	55	55	70	M55X3	137	104	213.8	59.8	76	2.65	1.49	
807300014ST	807300015ST	VP21P 1-1/4 BSP	1 1/4"	55	55	70	M55X3	137	105	214.8	59.8	76	2.51	1.4	
807300024ST	807300025ST	VP30P 1-1/4 BSP	1 1/4"	65	65	85	M72X4	174.7	132.2	271.3	85	94	-	-	
807300016ST	807300017ST	VP30P 1-1/2 BSP	1 1/2"	65	65	85	M72X4	174.7	132.2	271.3	85	94	5.12	2.93	

Standard tætninger - Standard seals: NBR (Nitrile)

Arbejdstemperatur - Working temperature: -20 °C til/ to 100 °C

Description	Size Inch	Max. Flow		Connect torque		Disconnect force		Spillage * ml
		l/min	GPM	Nm	lbf ft	Nm	lbf ft	
VP7	1/4"	24	6.36	0.6	0.44	0.4	0.29	0.01
VP9P	3/8"	46	12.19	0.8	0.59	0.5	0.37	0.04
VP13P	1/2"	90	23.85	1.1	0.81	1.0	0.74	0.02
VP15P**	5/8"	148	39.22	1.1	0.81	1.0	0.74	0.03
VP17P**	3/4"	200	53.00	2.0	1.47	1.4	1.03	0.01
VP21P	1"	378	100.17	2.2	1.62	1.8	1.33	0.06
VP30P	1 1/2"	750	198.75	6.5	4.79	3.2	2.36	0.20

Description	Size Inch	Max. operating pressure						Burst pressure					
		Coupled		Male		Female		Coupled		Male		Female	
		MPa	psi	MPa	psi	MPa	psi	MPa	psi	MPa	psi	MPa	psi
VP7	1/4"	60	8700	60	8700	42	6090	150	21750	150	21750	126	18270
VP9P	3/8"	55	7975	55	7975	33	4785	140	20300	140	20300	100	14500
VP13P	1/2"	55	7975	55	7975	33	4785	140	20300	140	20300	100	14500
VP15P**	5/8"	55	7975	55	7975	33	4785	140	20300	140	20300	100	14500
VP17P**	3/4"	50	7250	50	7250	33	4785	125	18125	125	18125	100	14500
VP21P	1"	47	6815	47	6815	30	4350	120	17400	120	17400	80	11600
VP30P	1 1/2"	40	5800	40	5800	27	3915	110	15950	110	15950	80	11600

Description	Size Inch	Max. residual pressure during connection						Max. residual pressure during disconnection	
		Male, female to drain		Female, male to drain		Male and female		Mpa	psi
		Mpa	psi	Mpa	psi	Mpa	psi		
VP7	1/4"	30	4350	25	3625	25	3625	25	3625
VP9P	3/8"	25	3625	25	3625	25	3625	25	3625
VP13P	1/2"	25	3625	25	3625	20	2900	20	2900
VP15P**	5/8"	25	3625	25	3625	20	2900	20	2900
VP17P**	3/4"	25	3625	25	3625	15	2175	15	2175
VP21P	1"	25	3625	25	3625	15	2175	15	2175
VP30P	1 1/2"	25	3625	25	3625	5	725	5	725

* Spillage is an indicative value of the fluid loss during disconnection.

** Specific dimensions of Stucchi VP-P series are fire tested and Lloyd certified in accordance with API 16D and the EUB Directive #36

Temperature range:

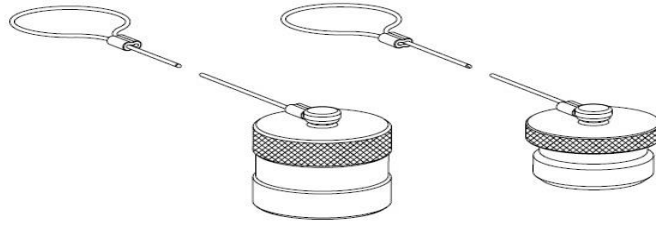
- Standard seals NBR, PUR, POM: from -20 °C to +100 °C (from -4 °F to +212 °F).

VP-P

BESKYTTELSESHÆTTE FOR TYPE "VP-P"
PVC CAPS FOR TYPE "VP-P"

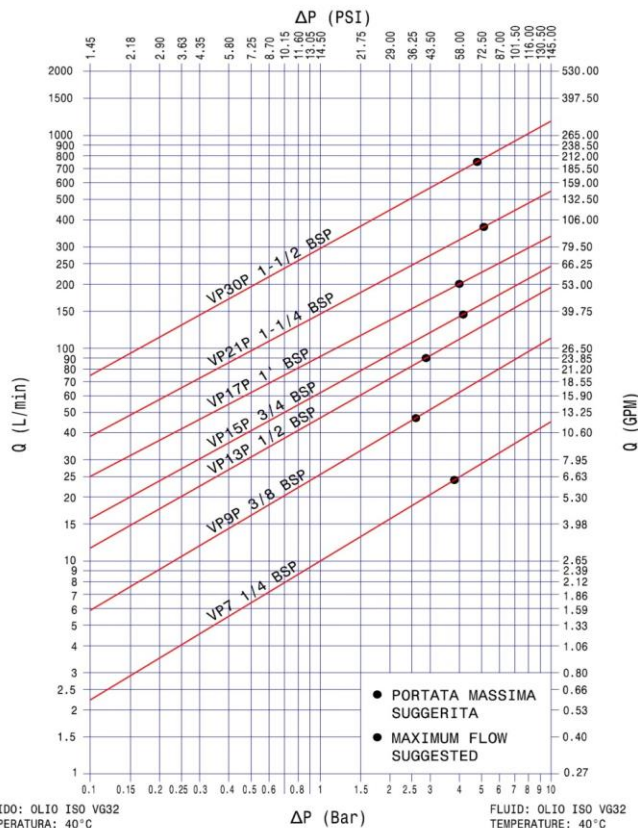
For "VP-P" Hun - Female

For "VP-P" Han - Male

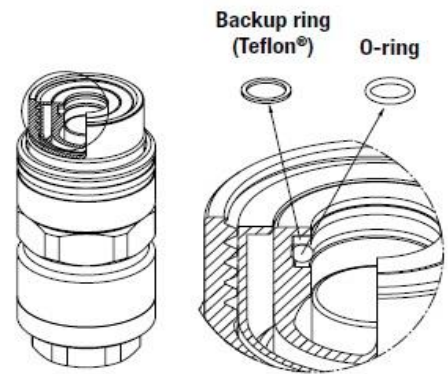


Varenr. Code	Betegnelse Description	Passer til Kobling/ Fits coupling	Materiale Material	Farve Colour	Vægt Weight
815300050ST	VP7	801900000ST	Aluminum	Rød	0.03
815300051ST	VP7	801900001ST	Aluminum	Rød	0.03
815300052ST	VP9P	807300002ST	Aluminum	Rød	0.03
815305052ST	VP9P	807300004ST	Aluminum	Hvid	0.03
815300053ST	VP9P	807300003ST	Aluminum	Rød	0.03
815305053ST	VP9P	807300005ST	Aluminum	Hvid	0.03
815300054ST	VP13P	807300006ST 807300008ST	Aluminum	Rød	0.05
815300055ST	VP13P	807300007ST 807300009ST	Aluminum	Rød	0.05
815300056ST	VP15P	807300010ST	Aluminum	Rød	0.06
815300057ST	VP15P	807300011ST	Aluminum	Rød	0.06
815300058ST	VP17P	807300018ST 807300012ST	Aluminum	Rød	0.09
815300059ST	VP17P	807300019ST 807300013ST	Aluminum	Rød	0.09
815300060ST	VP21P	807300022ST 807300014ST	Aluminum	Rød	0.12
815300061ST	VP21P	807300023ST 807300015ST	Aluminum	Rød	0.13
815300062ST	VP30P	807300024ST 807300016ST	Aluminum	Rød	0.20
815300063ST	VP30P	807300025ST 807300017ST	Aluminum	Rød	0.21

TEST ESEGUITI IN CONFORMITA' A ISO 7241-2
TEST IN ACCORDANCE WITH ISO 7241-2



SEAL KIT FOR "VP-P" HAN
SEAL KIT FOR "VP-P" MALE



Varenr. Code	Size	Betegnelse Description
815700519ST	1/4"	M VP7
815701096ST	3/8"	M VP9P
815700339ST	1/2"	M VP13P
815700341ST	5/8"	M VP15P
815700655ST	3/4"	M VP17P
815700345ST	1"	M VP21P
815700697ST	1 1/2"	M VP30P